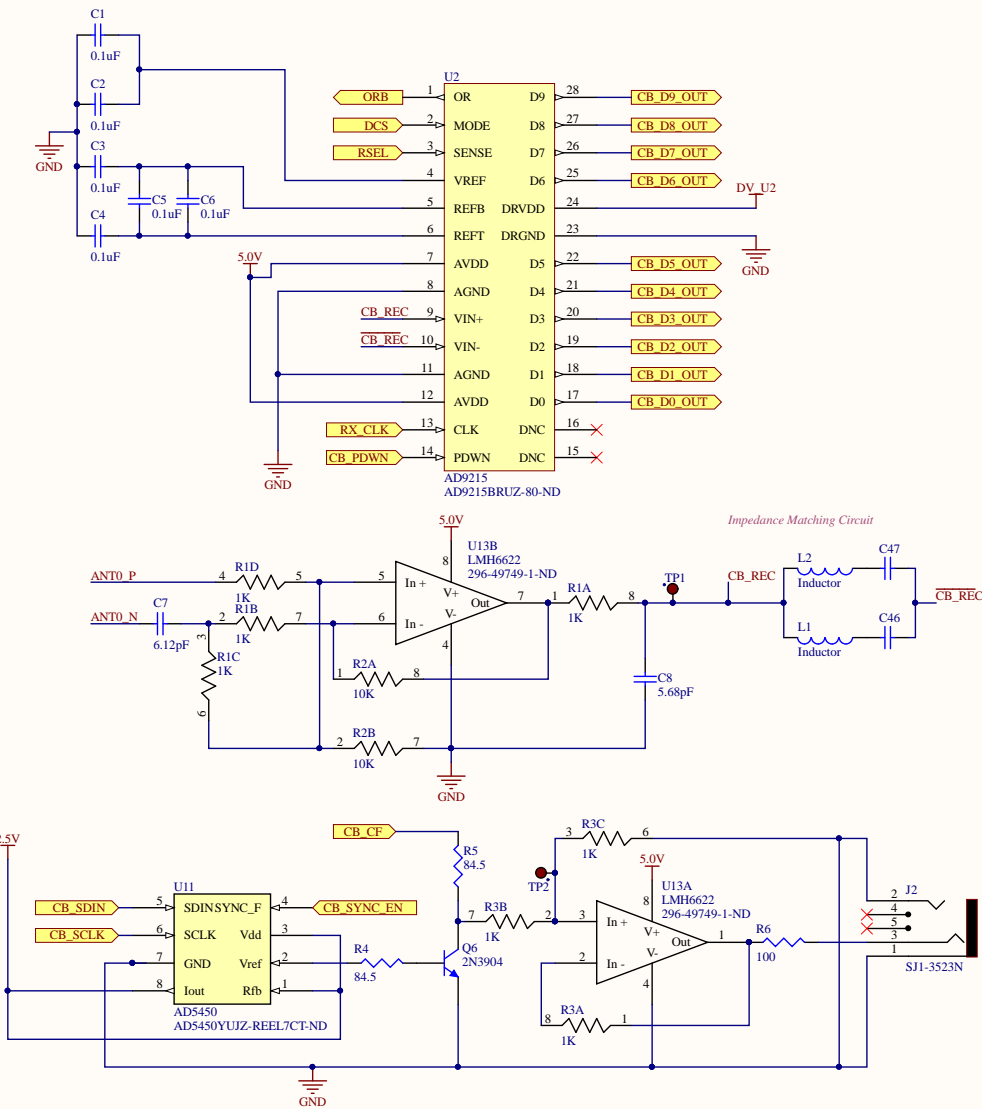
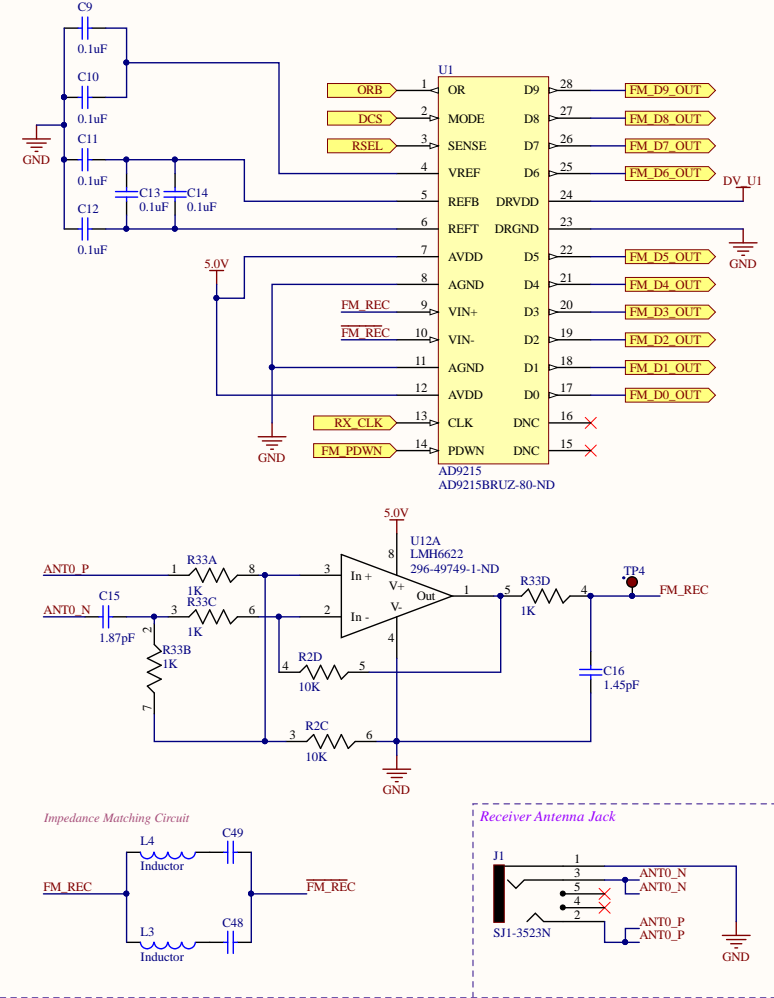


CB Radio Filters and ADC

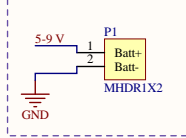


FM Radio Filters and ADC

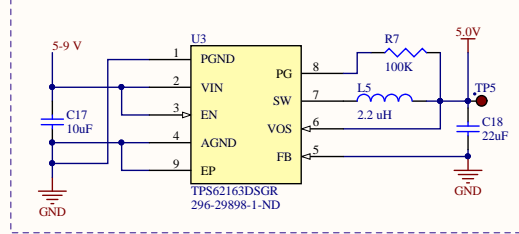


Project Title: <b>RADAR</b>		
Sheet Title: <b>FM and CB Radios</b>		
Engineer: <b>Maria Watters</b>		
Draftsman: <b>Maria Watters</b>		
Date: <b>2/13/2020</b>	Size: <b>B</b>	Revision: <b>1.2.2</b>
		Sheet: <b>1</b> of <b>5</b>

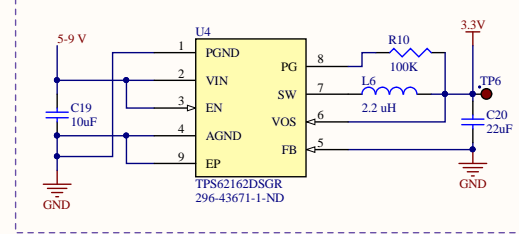
Power Headers



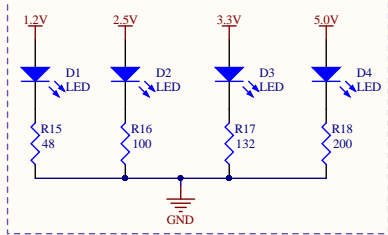
5.0V Buck Regulator



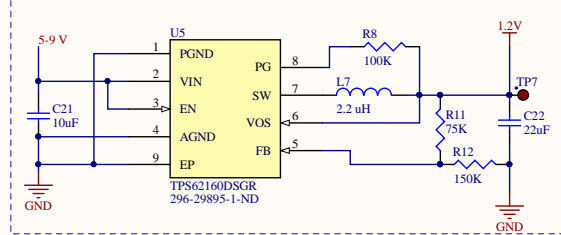
3.3V Buck Regulator



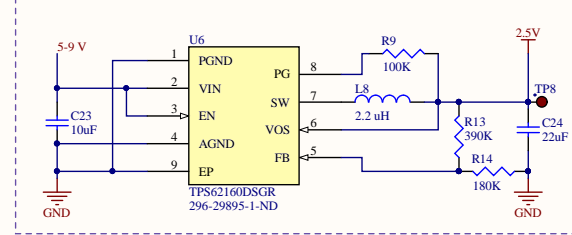
Power Rail Indicators



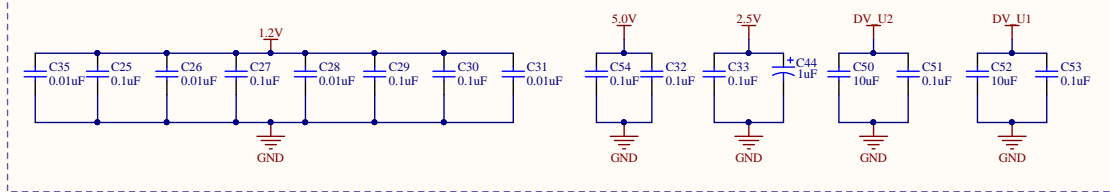
1.2V Buck Regulator




2.5V Buck Regulator

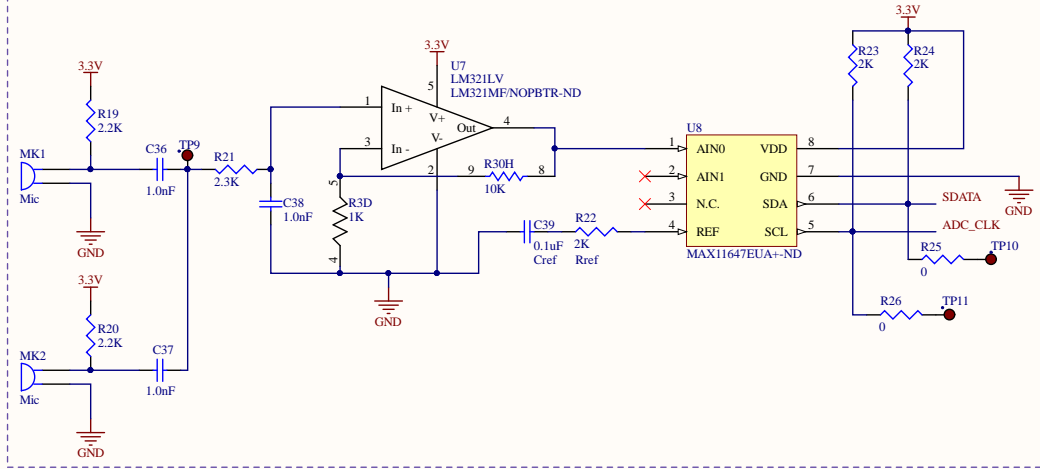


Power Decoupling

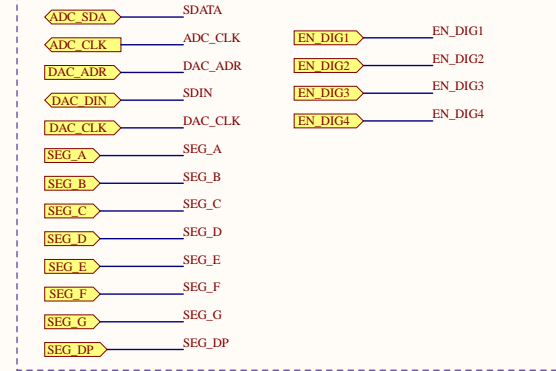


Project Title: <b>RADAR</b>	 WESTERN WASHINGTON UNIVERSITY		
Sheet Title: <b>Power</b>			
Engineer: <b>Maria Watters</b>			
Draftsman: <b>Maria Watters</b>			
Date: <b>2/13/2020</b>	Size: <b>B</b>	Revision: <b>1.2.2</b>	Sheet: <b>2</b> of <b>5</b>

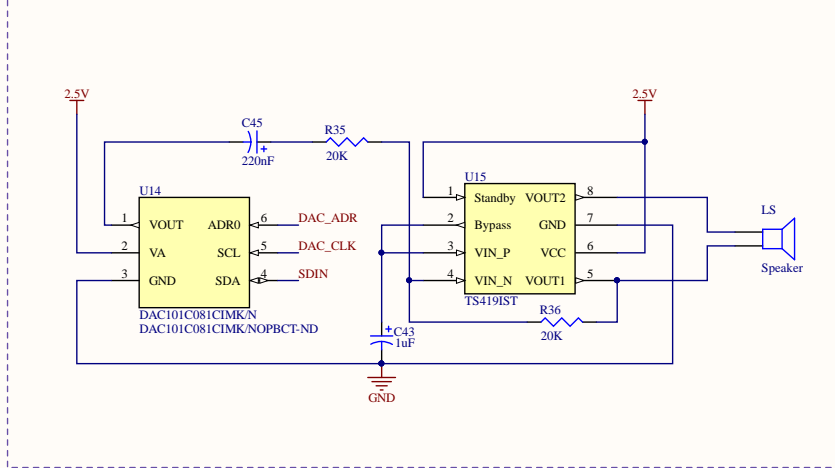
Microphones and ADC



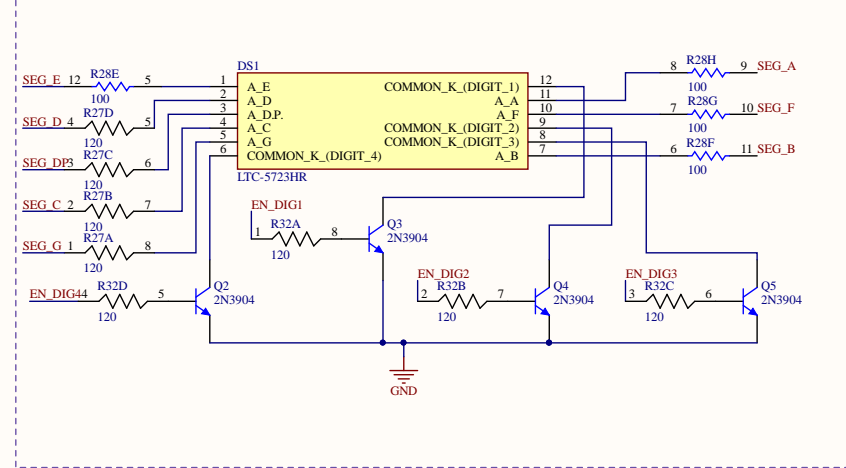
Port Definitions




Speaker and DAC

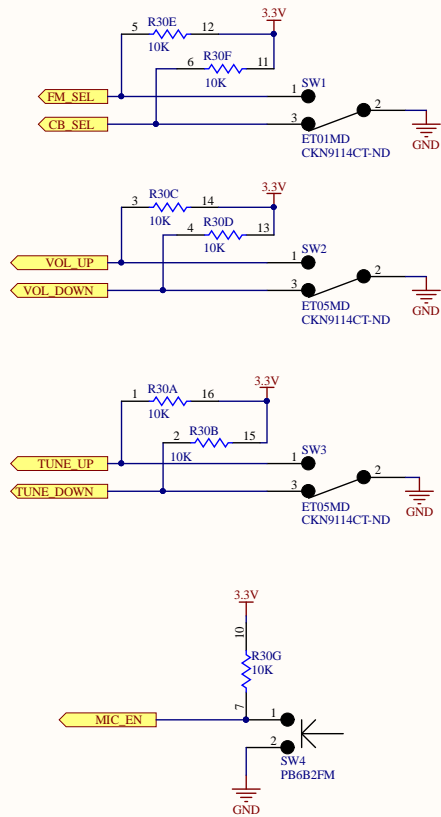


7-Segment Display

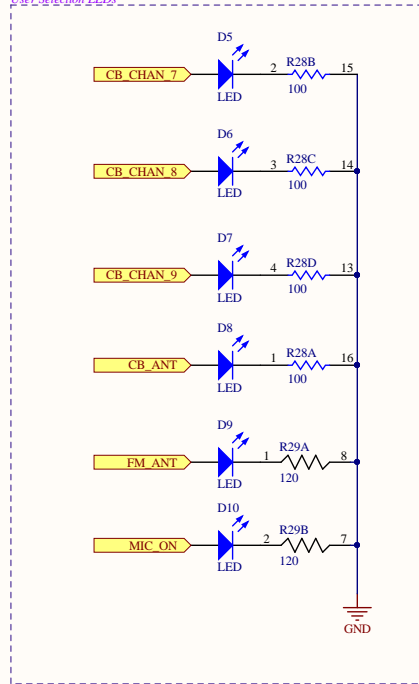



Project Title: <b>RADAR</b>		 WESTERN WASHINGTON UNIVERSITY
Sheet Title: <b>Microphone, Speaker, Display</b>		
Engineer: <b>Maria Watters</b>		
Draftsman: <b>Maria Watters</b>		
Date: <b>2/13/2020</b>	Size: <b>B</b>	Revision: <b>1.2.2</b>
		Sheet: <b>3</b> of <b>5</b>

User Selection Buttons

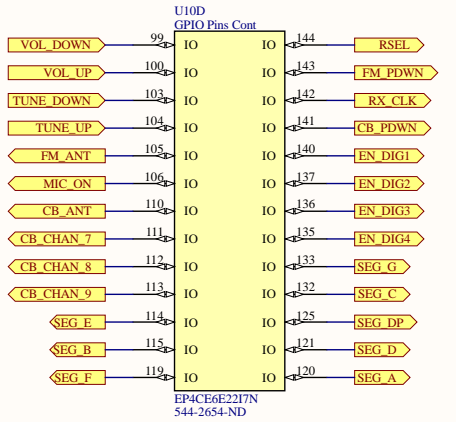
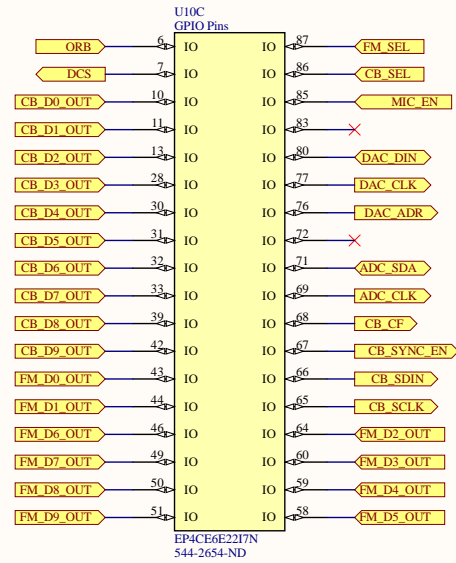


User Selection LEDs

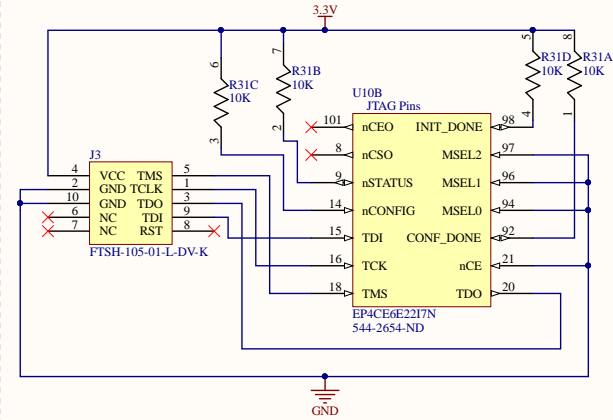


Project Title: <b>RADAR</b>		 WESTERN WASHINGTON UNIVERSITY
Sheet Title: <b>User Interfaces</b>		
Engineer: <b>Maria Watters</b>		
Draftsman: <b>Maria Watters</b>		
Date: <b>2/13/2020</b>	Size: <b>B</b>	Revision: <b>1.2.2</b>
		Sheet: <b>4</b> of <b>5</b>

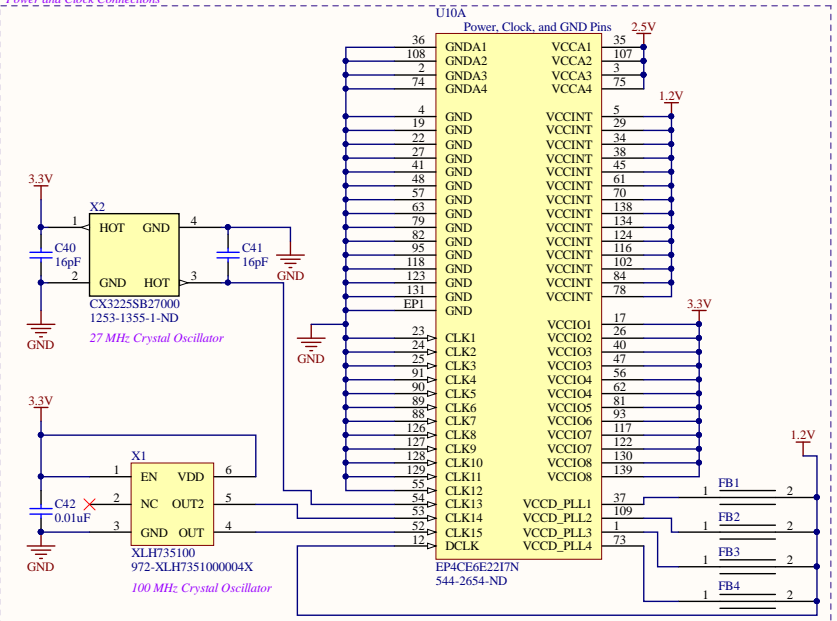
IO Pins Connections




JTAG and Config Pin Connections



Power and Clock Connections



Project Title: <b>RADAR</b>			
Sheet Title: <b>FPGA Connections</b>			
Engineer: <b>Maria Watters</b>			
Draftsman: <b>Maria Watters</b>			
Date: <b>2/13/2020</b>	Size: <b>B</b>	Revision: <b>1.2.2</b>	Sheet: <b>5</b> of <b>5</b>

J1

J2

Rev: 1.2.2  
Date: 3/9/2020

